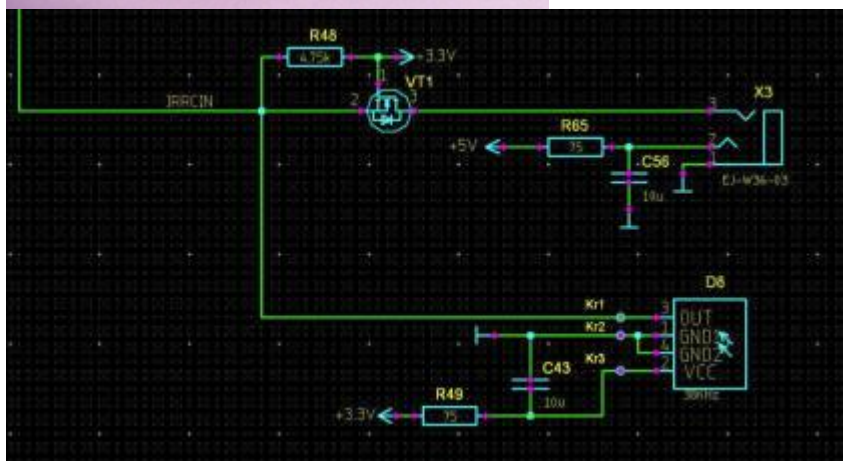
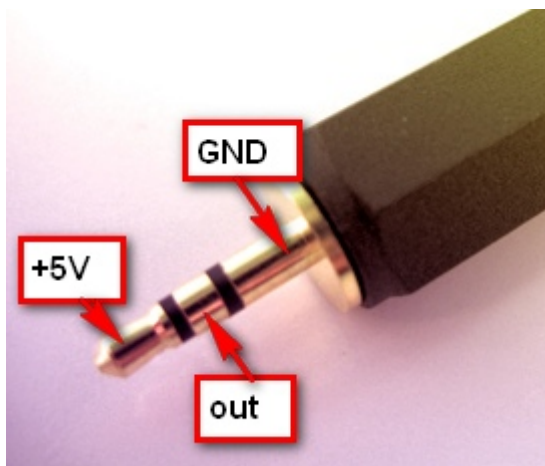


The pin connector is shown in the picture:



- **tip** - power +5V;
- **ring** - signal;
- **base** - ground;
- **Connector** - 2.5 mm stereo jack.

As a photodetector you can use any integrated receiver for 38KHz with 5V power supply.

For example:

TSOP31438 <http://www.vishay.com/docs/82492/tsop312.pdf>

TSOP58438 <http://www.vishay.com/docs/82461/tsop582.pdf>

With high probability the receiver can be the same as computer TV tuner - they quite often have the same type of connector and pinout.

It is recommended to install capacitor 1-10mcF near receiver for improving power supplies immunity.

From: <https://docs.infomir.com.ua/> -

Permanent link: https://docs.infomir.com.ua/doku.php?id=en:stb_webkit:faq:ir_receiver_external

Last update: 2019/05/17 11:23



